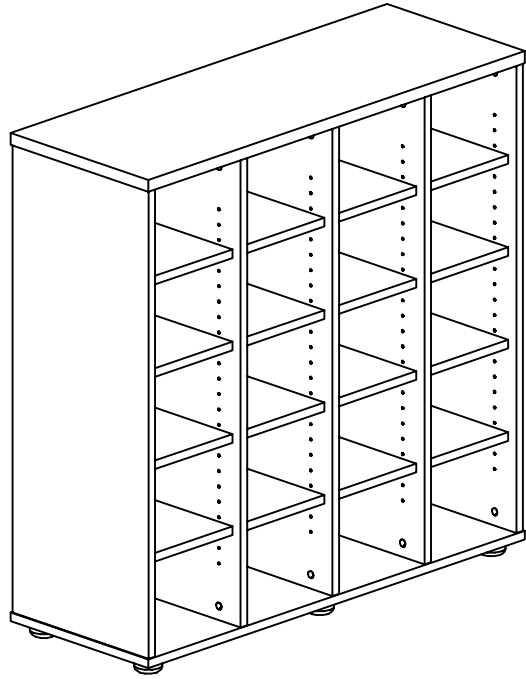


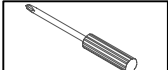
ASSEMBLY INSTRUCTIONS

PH20

rapidline
FURNITURE FOR TODAY
2011-8-25



2 PIECES EXTRA
SHELVES

- pin 6x35 1 34PCS
 - CAM 2 34PCS
 - Cam Cover 3 34PCS
 - Bolt M8x16 4 72PCS
 - CUSHION 25Hx φ62 5 6PCS
 - Screw 4x30 6 6PCS
- 

E x 18

