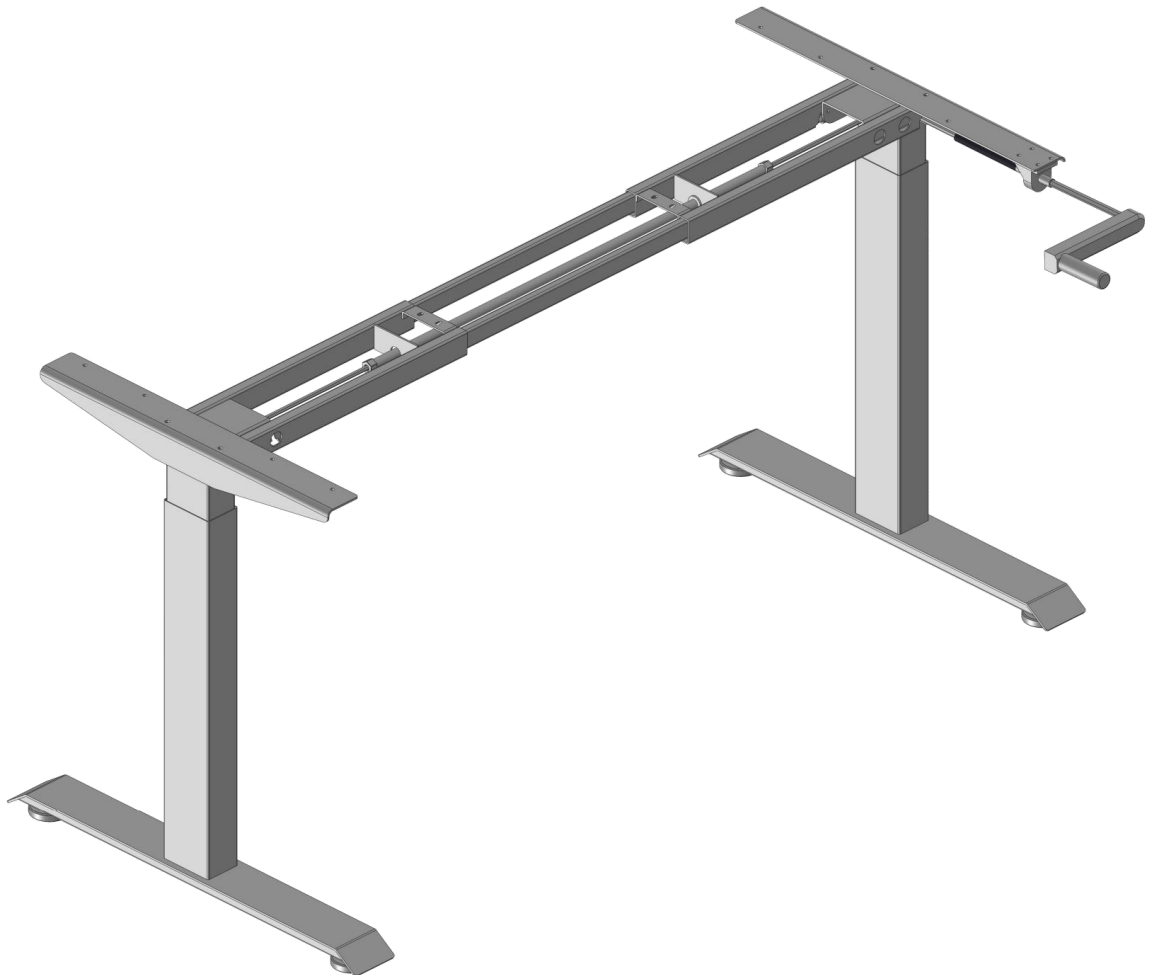


# Single Sided Crank Workstation

## Instruction Manual

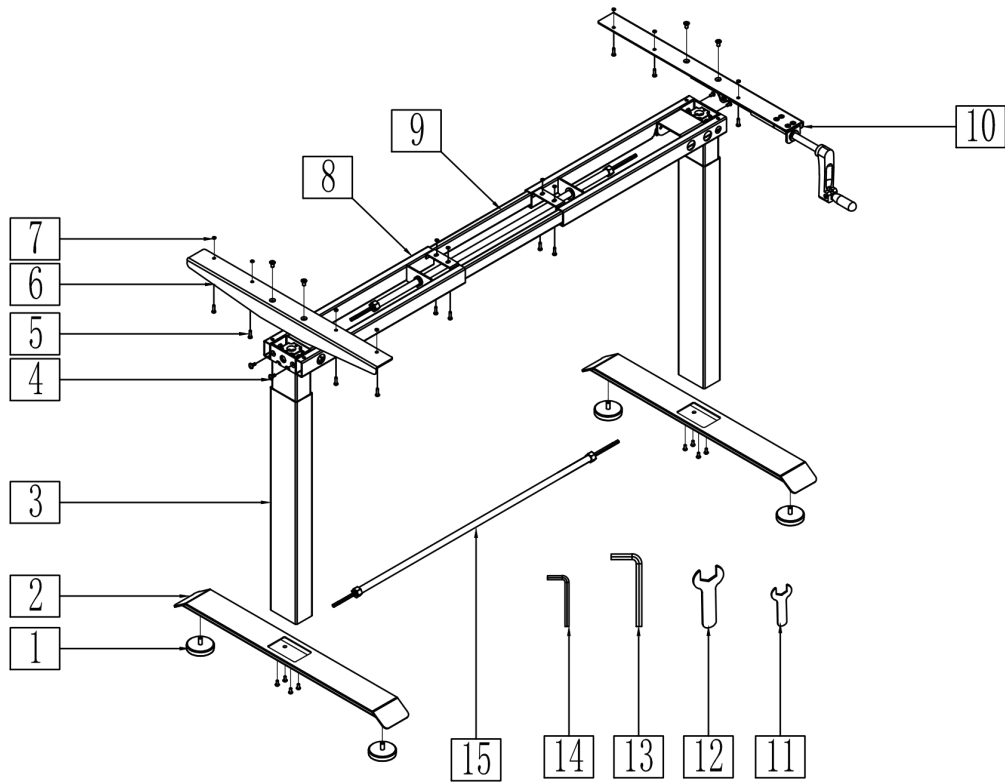
### Table of Contents

Component parts .....	2
Assembly Instructions .....	3
Important Safety Instructions .....	9



↓

## Component parts



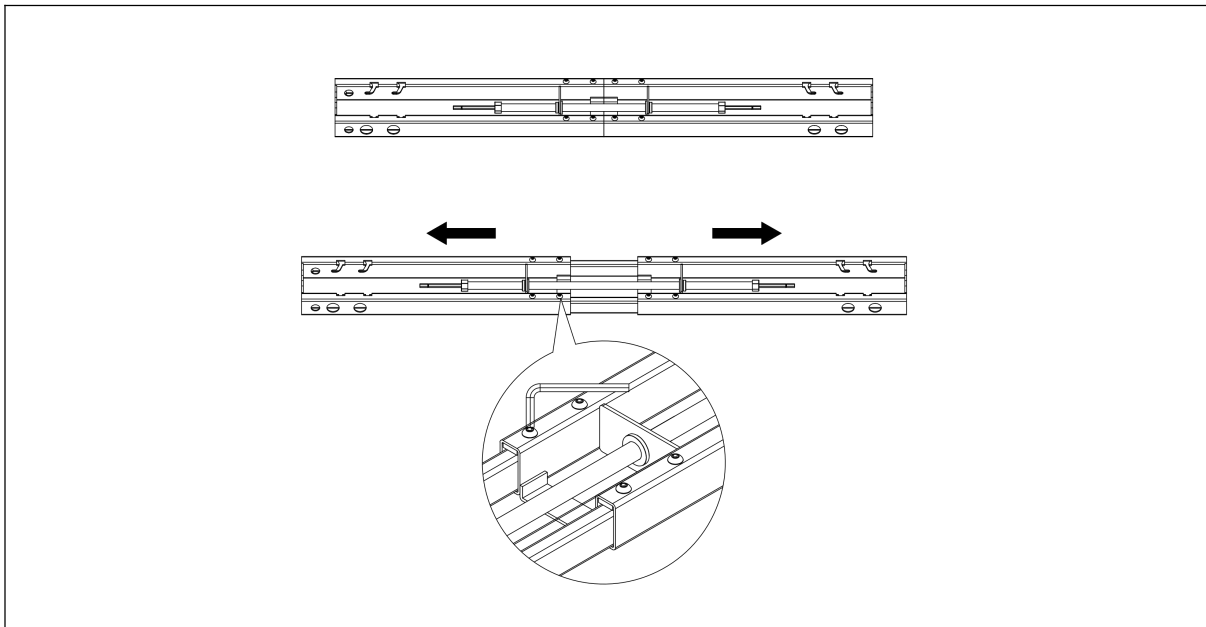
NO.	Component Name	PCS	NO.	Component Name	PCS
1	Leveling pads	4	9	Center rails	2
2	Table feet	2	10	Side brackets-2	1
3	Lifting column	2	11	Open spanner (6mm)	1
4	Bolt: M6x12	8	12	Open spanner (18mm)	1
5	Screw:ST4x16	14	13	Allen Wrench(4mm)	1
6	Side brackets-1	2	14	Allen Wrench(2mm)	1
7	Rubber pad	12	15	Longer aluminum pipe for 1800W tabletop	1
8	Top frame	2	16		

## Assembly Instructions

### Step 1

Loosen the pre-installed bolts and Adjust the length of the top frame to match the size of the table top.

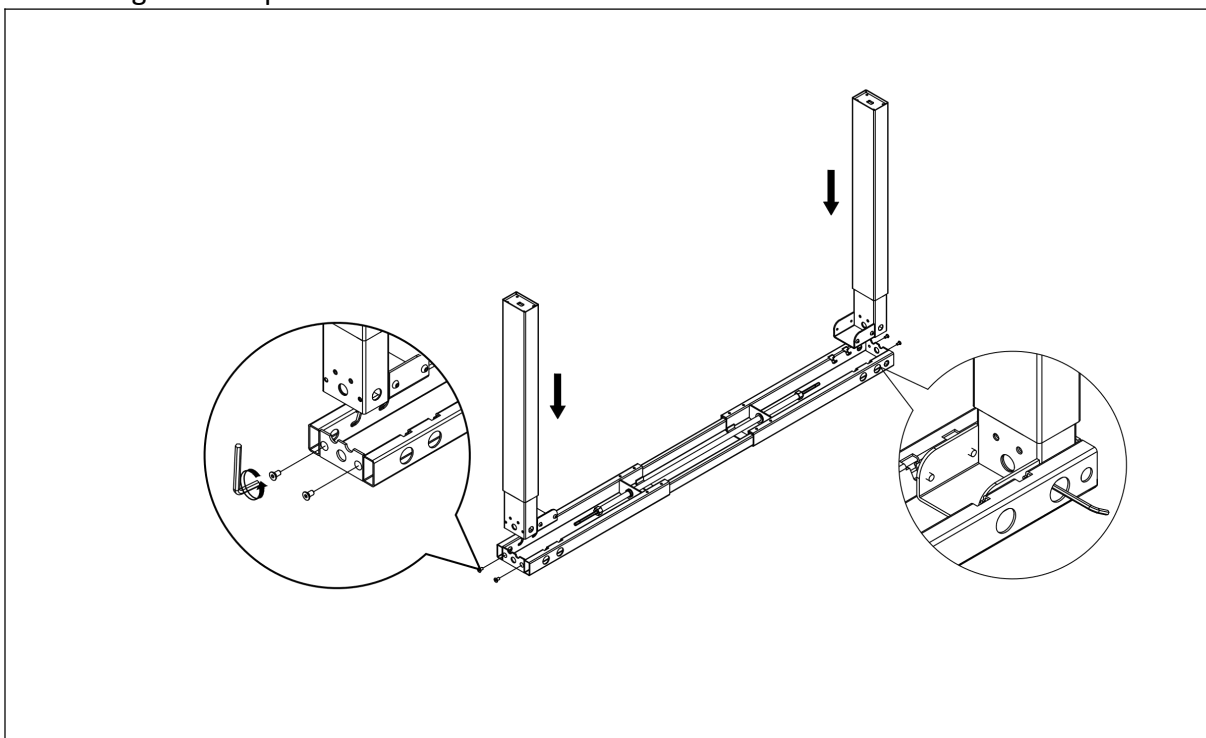
If the tabletop size 1200W, please use the Shorter aluminium pipe.



### Step 2

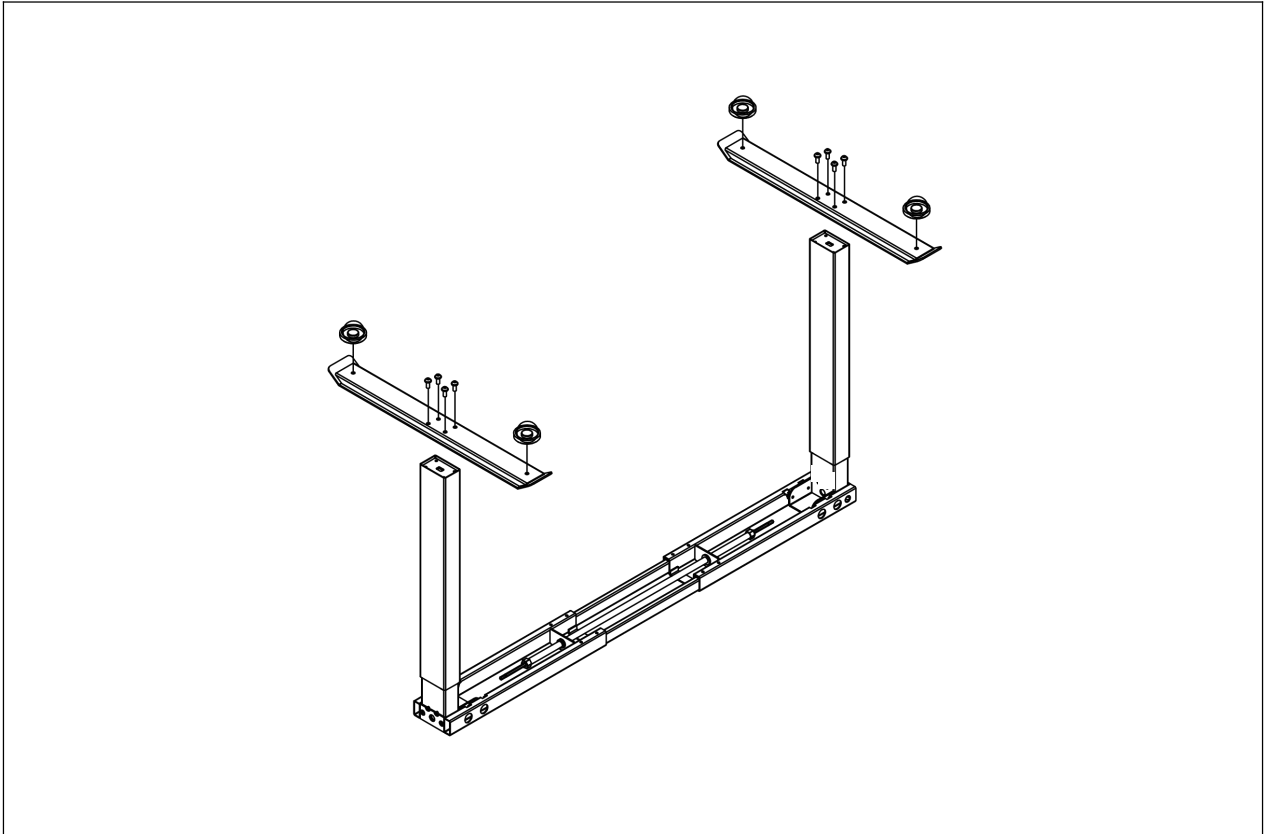
Inset the lifting column to the top frame.

- First fix 4 pcs screws M6x12
- And then tighten the pre-installed



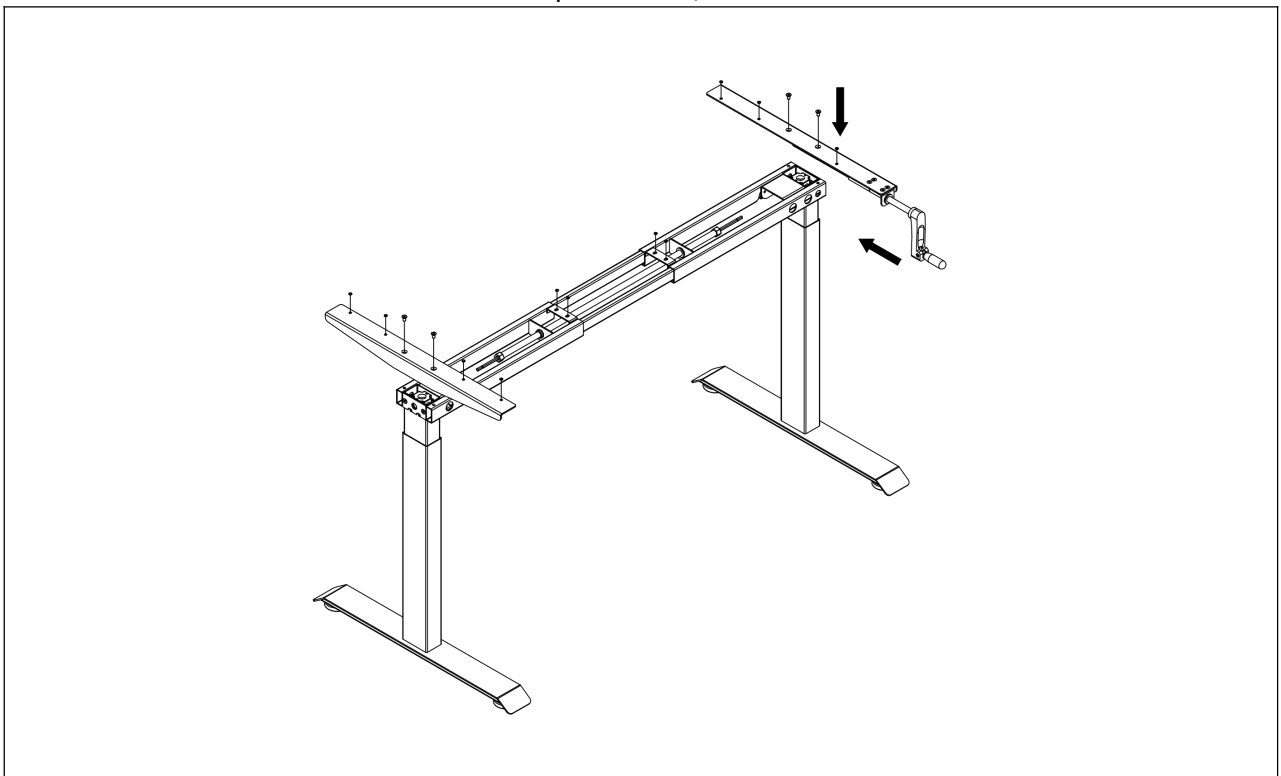
**Step 3**

Install the two table feet with Screws 8 pcs M6x16,  
Install the 4 pcs leveling pads



**Step 4**

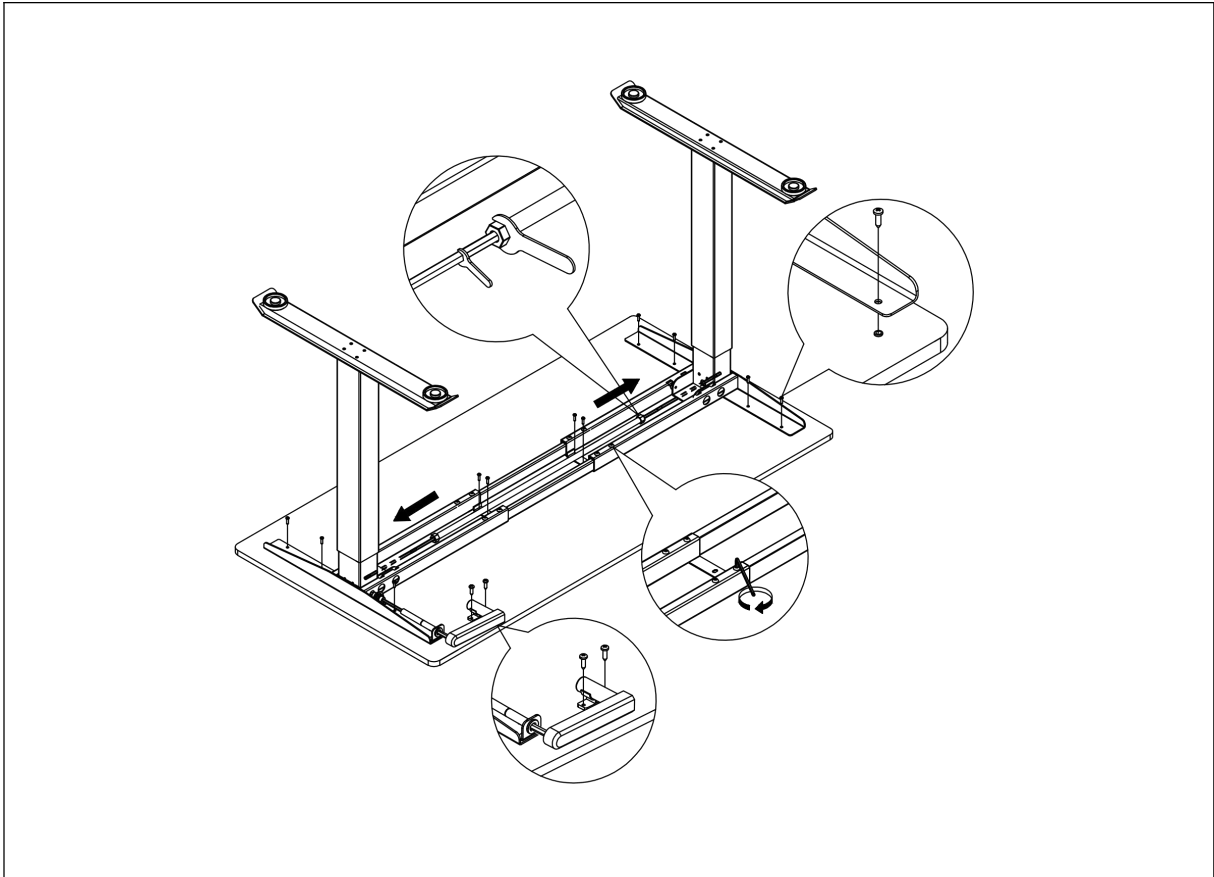
Install the two side brackets with Screws 4 pcs M6x12,



### Step 5

Install the desk frame to the tabletop with ST4 \* 16 screws, insert the transmission rod into the left and right lifting columns, and tighten with an open-ended wrench.

Fix the handle holder with 2 ST4 \* 16 screws to the tabletop



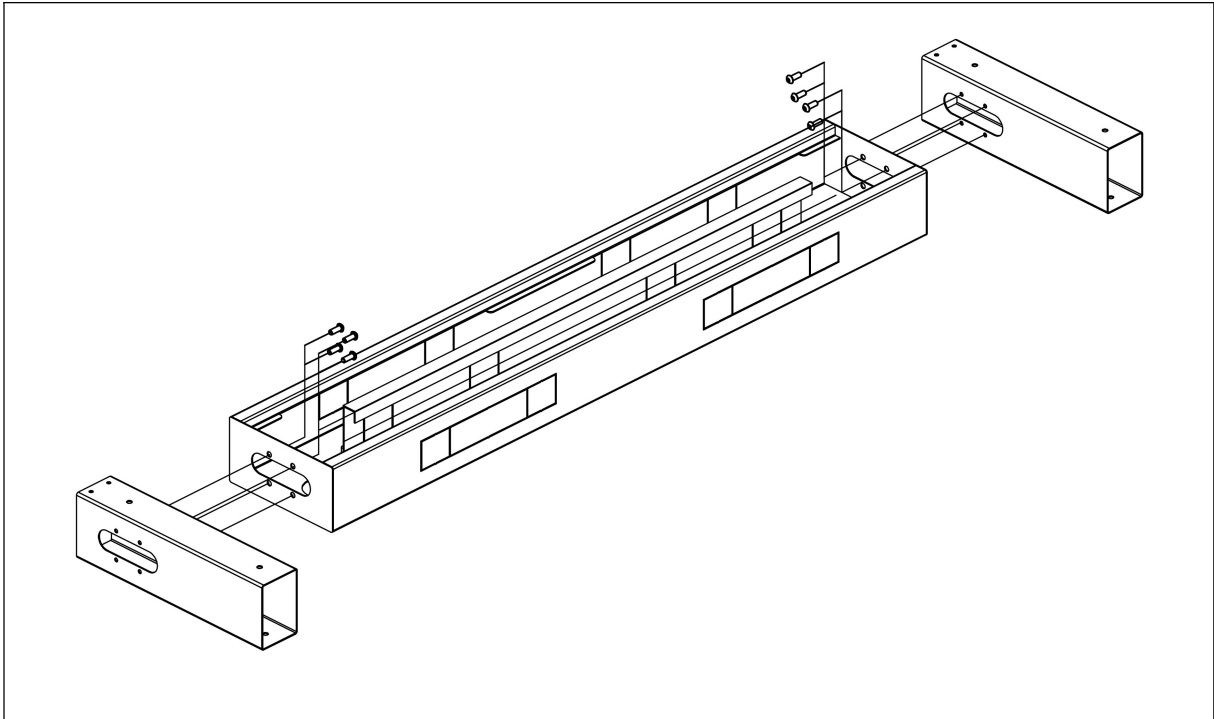
### B. Technical Specifications

Load Capacity:	80Kg(Dynamic)
Speed:	5mm/ per cycle
Adjust Height:	450mm
Min. Height :	675mm
Hand Crank Clockwise Rotation:	Up
Hand Crank anticlockwise Rotation:	Down

## Add-On: Cable tray installation

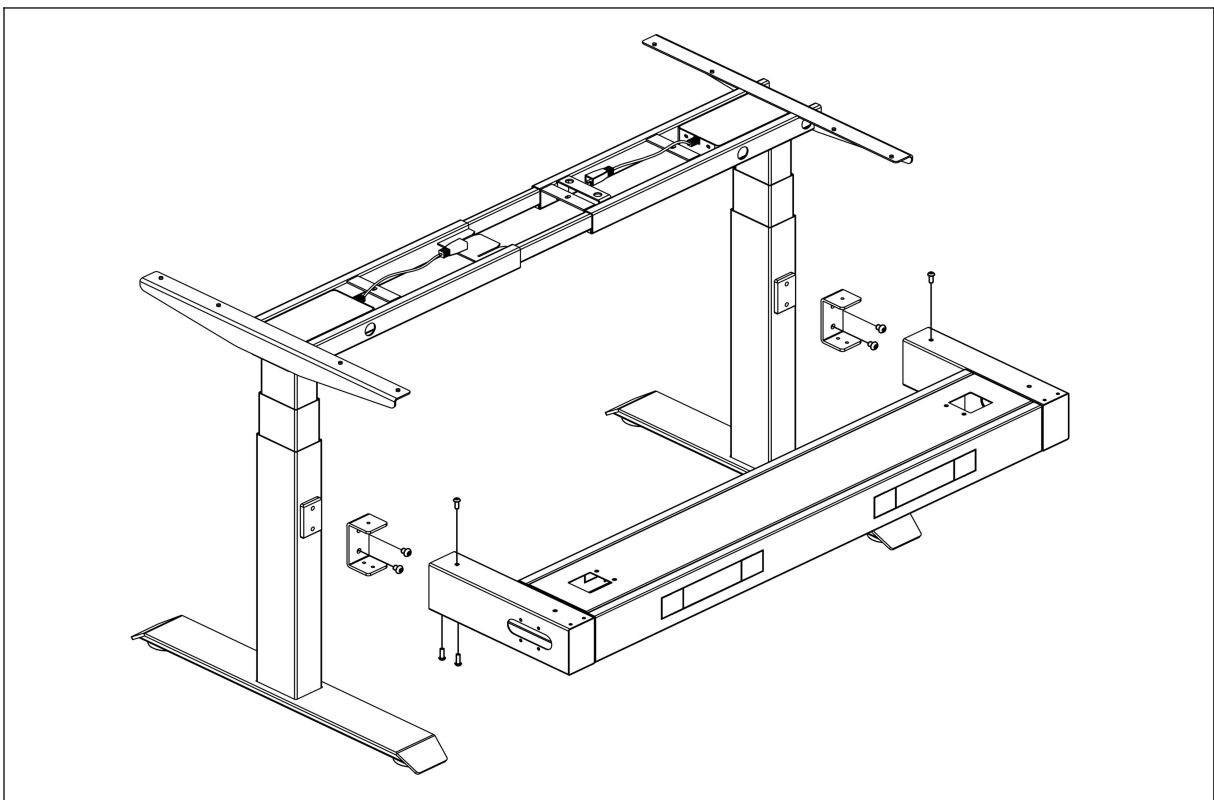
### Step 1

- Fix the cable tray to the cable tray arms with 8 pcs M6x10 screws.



### Step 1

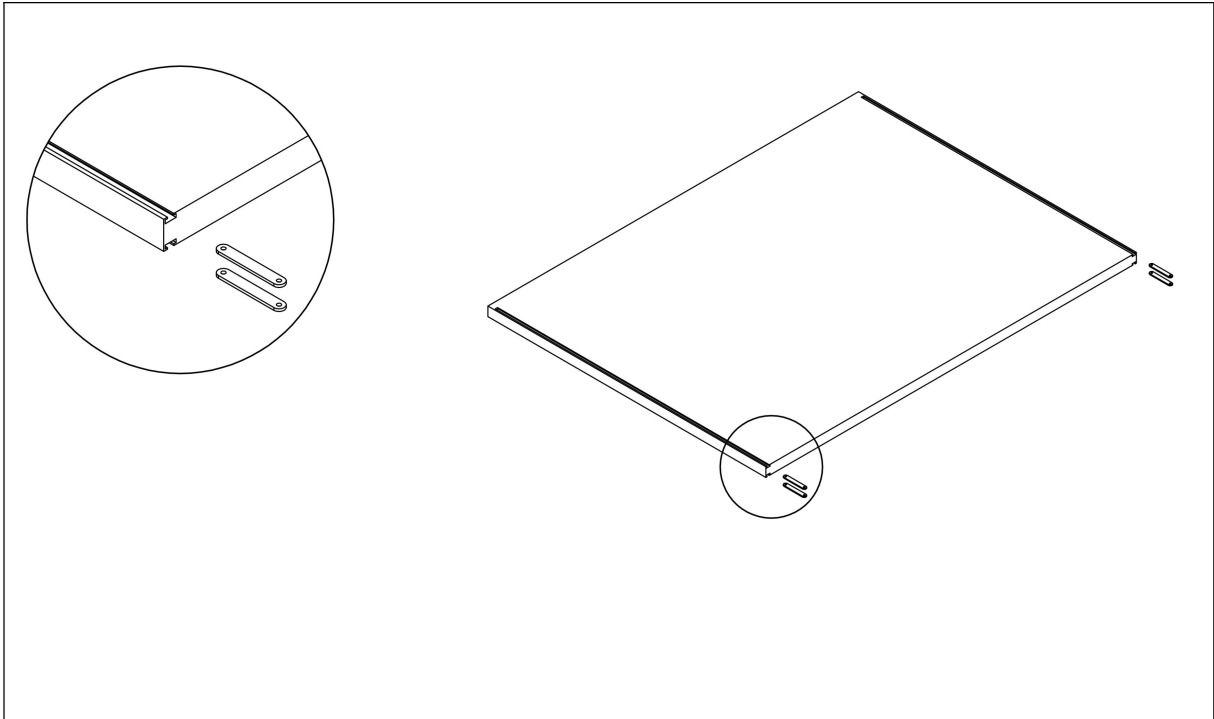
- Install the U brackets to the desk frame with 4 pcs M8x10 screws.
- Mount the cable tray to the desk frame and fix it with 6 pcs M6x10 screws



## Add on : Screen panel installation

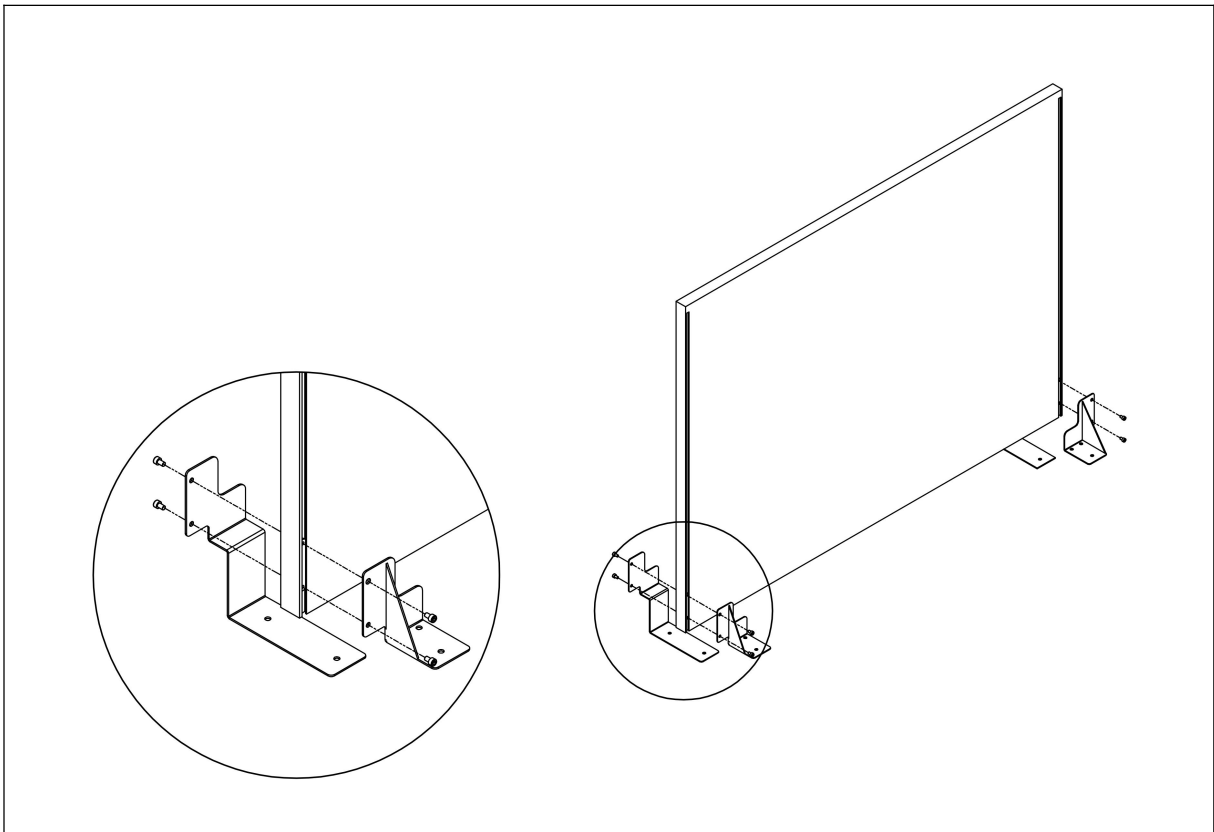
### Step 1

- Insert the tapped plates to the screen panel



### Step 2

- Install the brackets to the panel with 8 pcs M5x6 screws.



**Step 3**

- Fix the panel to the desk frame with 10 pcs M6x10 screws.

